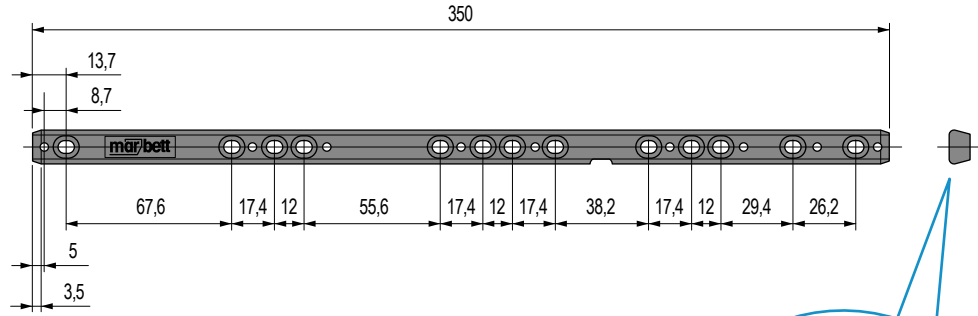


Part. S0850

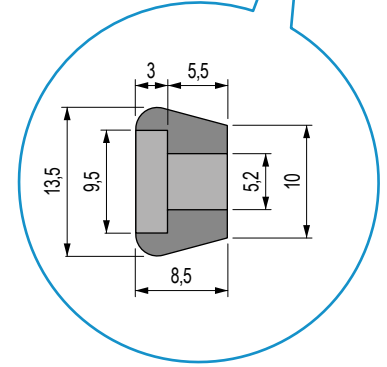


Assembly bar



	Code	Weight kg
With screws M5 x 10	646713	
With screws M5 x 16	646723	0,04
Without screws	646733	

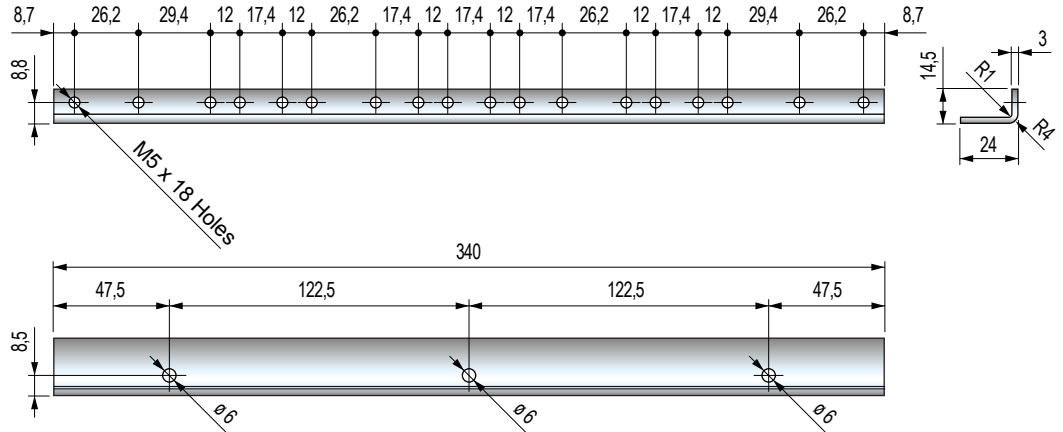
- Material: Reinforced polyamide PAFV special (black).
- The Bar is provided with marks to indicate the cutting positions to obtain the lengths on the following page.
- Packaging: 10 pieces.



Part. S0864

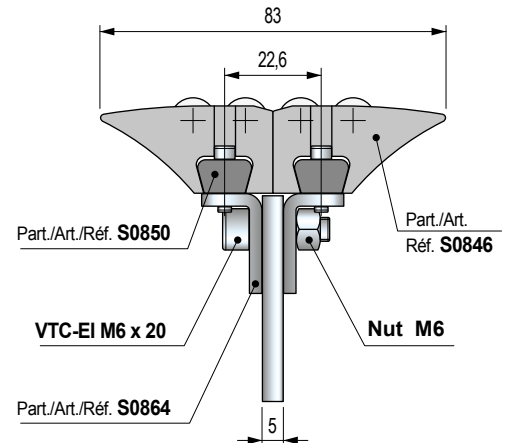


L Profile



	Code	Weight kg
	646663	0,25

- Material: Profile and M6 screws in austenitic stainless steel, M6 nuts in nickel plated brass.
- Packaging: 2 pieces.



- Best Seller
- Standard
- On request: minimum quantity may apply. Consult our Customer Service for availability.

Item code for order = Part. + Code